



NRMA Used Car Sellers' Receipt

Date: _____

Seller's name: _____

Address: _____

Phone: _____

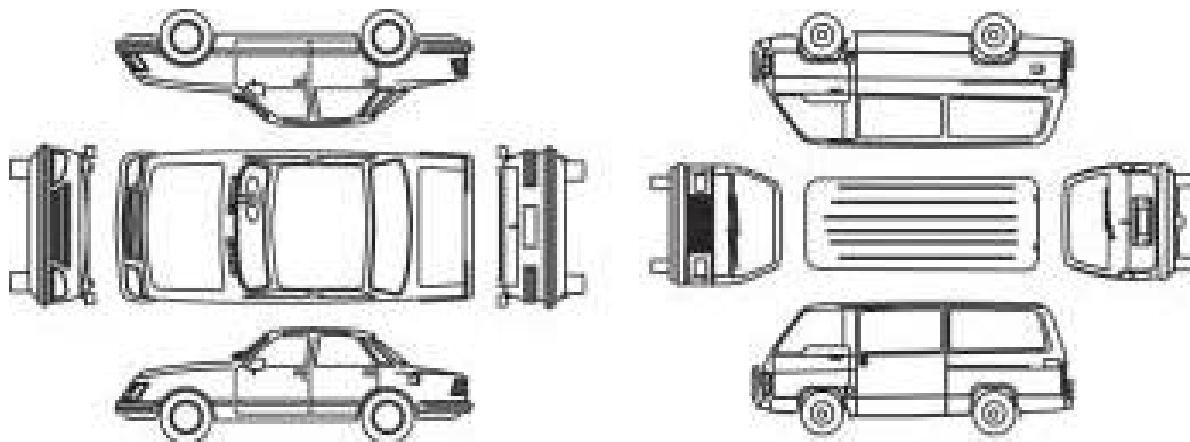
Mobile: _____

Seller's driver's licence no: _____

Car Registration: _____

VIN/chassis/engine no: _____

Agreed condition: _____



Amount received: \$ _____

Buyer's name: _____

For (cross out one): Deposit / Full Payment

Seller's signature: _____

Buyer's signature: _____

We recommend NRMA MotorServe or Approved Repairers for a vehicle inspections before you purchase a used vehicle.