



Diamond Grading Chart

The Four Cs

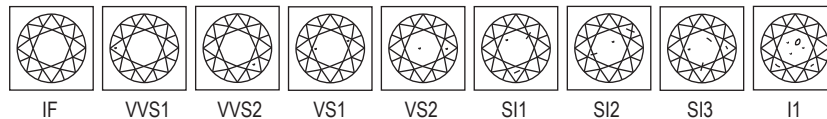
Carat Weight

Diamond size is measured in carats, which refers to the weight of the stone rather than its exact proportions. The pictures below show the approximate size of each diamond by carat weight.



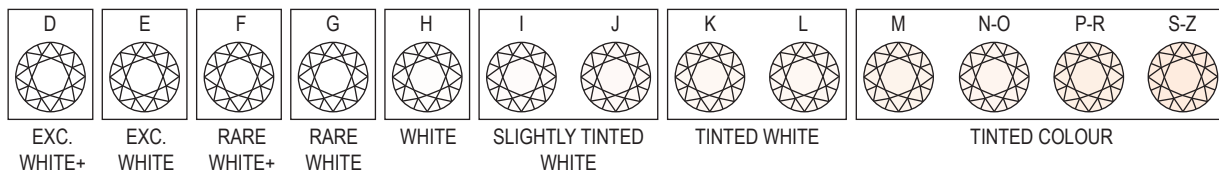
Clarity Grade

The clarity grade refers to naturally occurring flaws, known as 'inclusions', within the diamond. VVS stands for 'Very Very Slight [inclusions]', VS means 'Very Slight', SI means 'Slightly Included' and 'I' means 'Included'. Inclusions interrupt the flow of light in the diamond, which means included diamonds sparkle less than flawless (IF) ones, but diamonds with clarity grades up to Si3 should not have inclusions that can be seen with the naked eye.



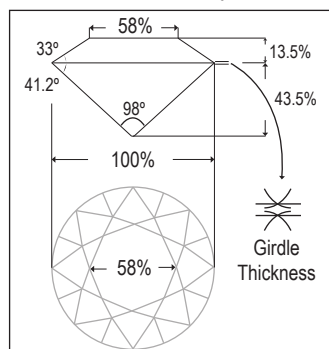
Colour

Diamonds are graded by colour on a scale from D to Z. D is colourless – a truly white diamond. Anything up to and including colour H is considered white, with a hint of yellow appearing in diamonds graded from I onwards. Colourless (white) diamonds are the rarest, and therefore the most valuable.



Cut Quality

The cut quality of a diamond refers to the proportions of the different facets of the diamond, as shaped by the human hand. The most skilled diamond cutter will arrange the facets to maximise the fire and brilliance of the stone.



Shape

Diamonds are cut into different shapes to make the best of their natural properties. The brilliant-cut (round) diamond is the most popular for use in jewellery.

