

Pottery barn kids

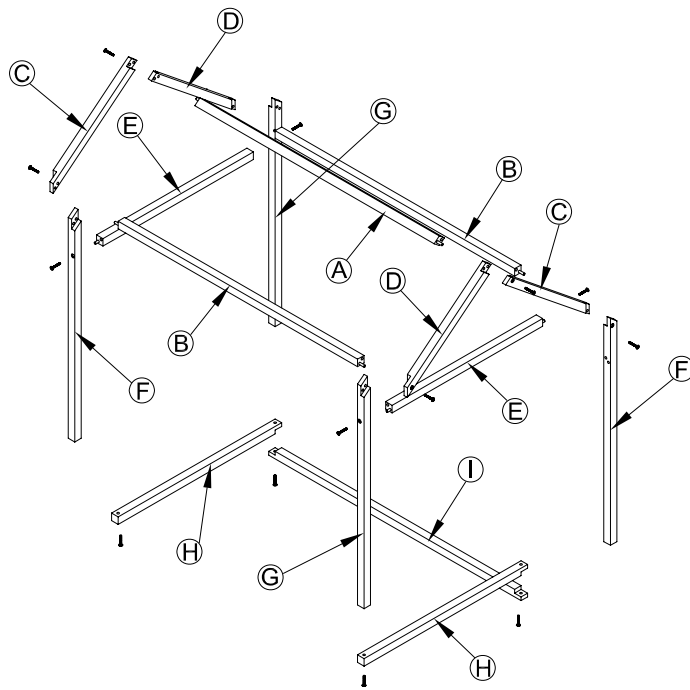
PLAYHOUSE FRAME

PRE-ASSEMBLY:

- Remove all parts and hardware from the box and lay out on a clean carpet or scratch-free work surface (The shipping box provides an ideal work surface). This will avoid damaging any parts during assembly. Do not dispose of any contents until assembly is completed to avoid accidentally discarding small parts or hardware.
- Two people are recommended for ease of assembly.
- Use the parts and hardware lists to identify and separate each of the pieces included prior to starting assembly.
- The illustrations provided allow for easier assembly when used in conjunction with the assembly instructions.
- If using power tools to aid in assembly please use caution. Power tools can damage hardware or split wood.

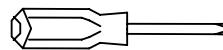
PARTS INCLUDED:

- A – Top rail (x1)
- B – Horizontal rail (x2)
- C – Slant rail #1 (x2)
- D – Slant rail #2 (x2)
- E – Upper rail (x2)
- F – Post #1 (x2)
- G – Post #2 (x2)
- H – Bottom rail (x2)
- I – Back rail (x1)



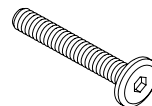
TOOLS REQUIRED:

- Phillips head screwdriver (not included)
- K - Allen Key (included)



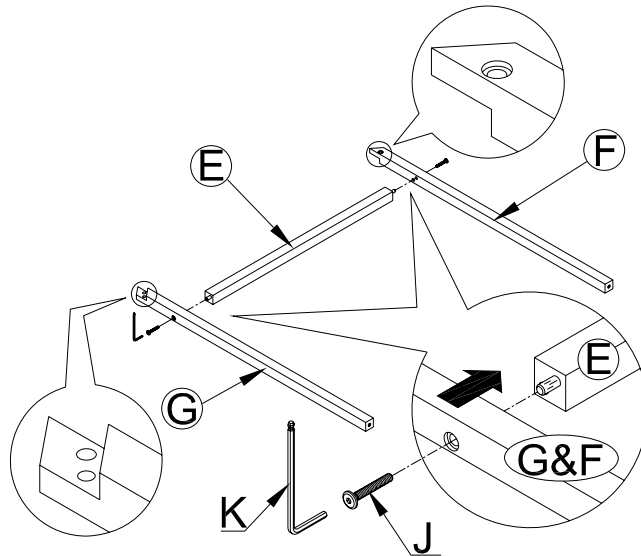
HARDWARE:

- J – Allen Bolts 1/4"x38x13mm (x14)

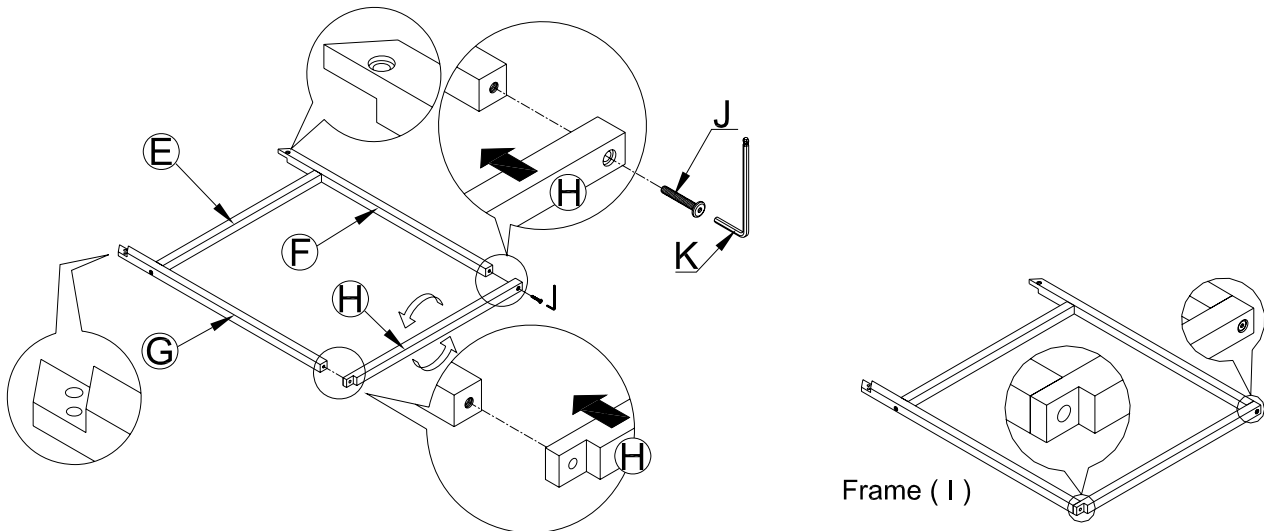


ASSEMBLY:

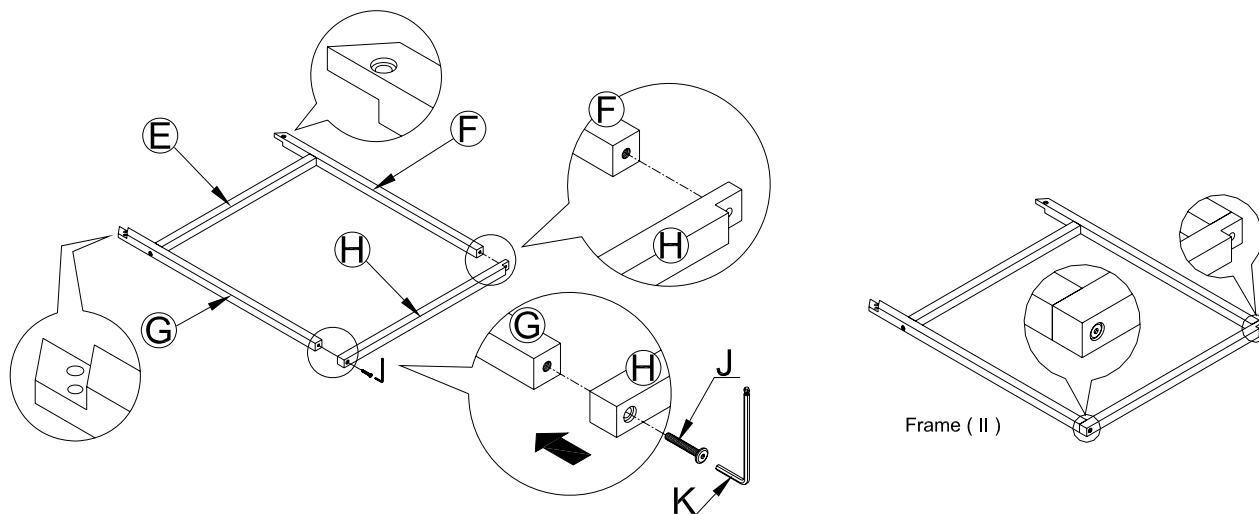
1. On a soft, scratch-free surface such as carpet or rug, attach 1pc Upper rail (E), 1pc Post #1 (F) and 1pc Post #2 (G) using 2pcs Allen Bolts 1/4"x38x13mm (J) .See illustration. Repeat step for other side.



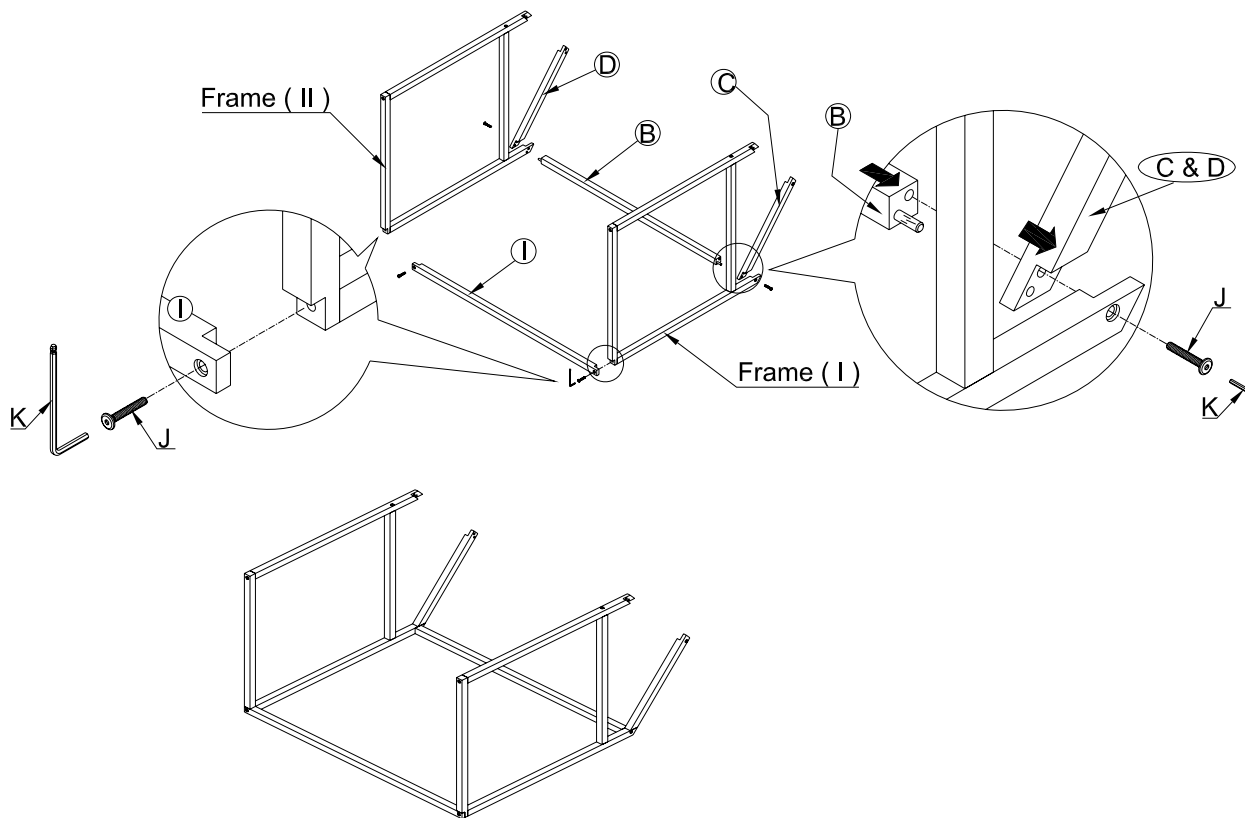
2. Attach 1pc Bottom rail (H) to the Post #1 (F) using 1pcs Allen Bolts 1/4"x38x13mm (J). Then (E), (F), (G), (H) become Frame (I) as shown.



- Attach 1pc Bottom rail (H) to the Post #2(G) using 1pcs Allen Bolts 1/4"x38x13mm (J). then (E) , (F) ,(G) , (H) become Frame (II) as shown.



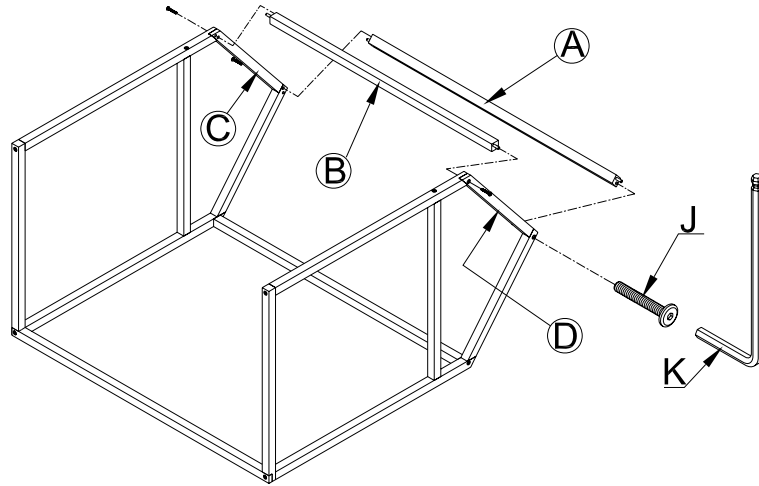
- Using two people carefully lay Frame (I) and Frame (II) down on a soft, scratch-free surface as shown in illustration. Attach Frame (I) and Frame (II) using 1pc Horizontal rail (B) and back rail (I) as shown. Fix 1pcs Slant rail#1(C) and 1pcs Slant rail#2 (D) using Allen Bolts 1/4"x38x13mm (J).



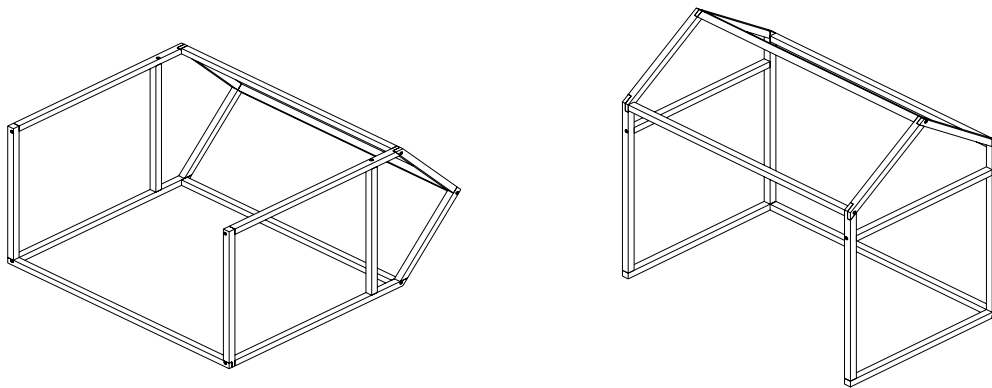
5. Fix 1pcs

Slant rail#1(C) and 1pcs Slant rail#2 (D) to

Post #1(F) and Post #2 (G) using Allen Bolts 1/4"x38x13mm (J). Then attach Top rail (A) and 1pc Horizontal rail (B) using Allen Bolts 1/4"x38x13mm (J). See illustration.



6. Lift the Playhouse frame up as shown, assembly completed.



Thank you for your purchase

stores | catalog |

www.potterybarnkids.com