

User Guide

RT-N12 Series

Superspeed Wireless N Router

Copyright © 2012 ASUSTeK Computer Inc. All Rights Reserved.

No part of this manual, including the products and software described in it, may be reproduced, transmitted, transcribed, stored in a retrieval system, or translated into any language in any form or by any means, except documentation kept by the purchaser for backup purposes, without the express written permission of ASUSTeK Computer Inc. ("ASUS").

Product warranty or service will not be extended if: (1) the product is repaired, modified or altered, unless such repair, modification or alteration is authorized in writing by ASUS; or (2) the serial number of the product is defaced or missing.

ASUS PROVIDES THIS MANUAL "AS IS" WITHOUT WARRANTY OF ANY KIND, EITHER EXPRESS OR IMPLIED, INCLUDING BUT NOT LIMITED TO THE IMPLIED WARRANTIES OR CONDITIONS OF MERCHANTABILITY OR FITNESS FOR A PARTICULAR PURPOSE. IN NO EVENT SHALL ASUS, ITS DIRECTORS, OFFICERS, EMPLOYEES OR AGENTS BE LIABLE FOR ANY INDIRECT, SPECIAL, INCIDENTAL, OR CONSEQUENTIAL DAMAGES (INCLUDING DAMAGES FOR LOSS OF PROFITS, LOSS OF BUSINESS, LOSS OF USE OR DATA, INTERRUPTION OF BUSINESS AND THE LIKE), EVEN IF ASUS HAS BEEN ADVISED OF THE POSSIBILITY OF SUCH DAMAGES ARISING FROM ANY DEFECT OR ERROR IN THIS MANUAL OR PRODUCT.

SPECIFICATIONS AND INFORMATION CONTAINED IN THIS MANUAL ARE FURNISHED FOR INFORMATIONAL USE ONLY, AND ARE SUBJECT TO CHANGE AT ANY TIME WITHOUT NOTICE, AND SHOULD NOT BE CONSTRUED AS A COMMITMENT BY ASUS. ASUS ASSUMES NO RESPONSIBILITY OR LIABILITY FOR ANY ERRORS OR INACCURACIES THAT MAY APPEAR IN THIS MANUAL, INCLUDING THE PRODUCTS AND SOFTWARE DESCRIBED IN IT.

Products and corporate names appearing in this manual may or may not be registered trademarks or copyrights of their respective companies, and are used only for identification or explanation and to the owners' benefit, without intent to infringe.

Table of contents

1 Overview	5
Package contents	5
Hardware features	6
2 Setting up your wireless network	11
Positioning your router.....	11
What you need	12
Setting up your wireless router	12
Wired connection.....	13
Wireless connection	15
Before you proceed	17
A. Disable any configured proxy servers.....	17
B. Configure TCP/IP settings.....	19
C. Disable dial-up networking	21
3 Network configuration using the web GUI	22
Logging in to the web GUI	22
Setting up the Internet connection	23
Quick Internet Setup (QIS) with auto-detection	24
Setting up wireless security	29
Tx Power adjustment (For RT-N12 HP only)	31
Creating your Guest Network	32
Using the Traffic Manager.....	34
Managing QoS (Quality of Service) Bandwidth.....	34
Monitoring Traffic	36

Table of contents

- Configuring Advanced settings.....37
 - Setting up the DHCP Server37
 - Upgrading the firmware39
 - Restoring/Saving/Uploading settings40
- 4 Using the utilities 41**
 - Device Discovery41
 - Firmware Restoration42
- 5 Troubleshooting 44**
 - Troubleshooting44
 - ASUS DDNS Service48
 - Frequently Asked Questions (FAQs)48
- Appendices 50**
 - Notices.....50
 - Networks Global Hotline Information64
 - ASUS Contact information66

1 Overview

Package contents

- RT-N12 Series wireless router
- Network cable (RJ-45)
- Power adapter
- Quick Start Guide
- Warranty card



NOTE:





- The RT-N12 Series wireless router includes the RT-N12 D1 and RT-N12 HP models. This manual discusses features for both models.
 - If any of the items is damaged or missing, contact ASUS for technical inquiries and support. Refer to the ASUS Support Hotline list at the back of this user manual.
 - Keep the original packaging material in case you would need future warranty services such as repair or replacement.
-

Hardware features

Front








Status indicators

LED	Status	Indication
 Power	Off	No power or wireless signal is disabled
	On	System ready
	Flashing slowly	Rescue mode
	Flashing quickly	WPS in progress
 Wireless	Off	No power
	On	Wireless system ready
	Flashing	Transmitting or receiving data (wireless)
 WAN Wide Area Network	Off	No power or no physical connection
	On	Has physical connection to an Ethernet network
	Flashing	Transmitting or receiving data (through Ethernet cable)
 LAN 1-4 Local Area Network	Off	No power or no physical connection
	On	Has physical connection to an Ethernet network
	Flashing	Transmitting or receiving data (through Ethernet cable)






Rear (RT-N12 D1)



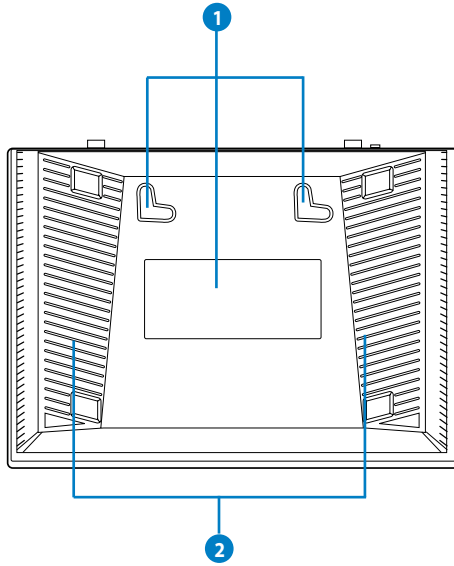
Label	Description
 Reset	Press this button for more than five seconds to restore the system to its factory default settings.
 Power	Press this button to power on/off the wireless router.
 DCIN	Insert the AC adapter into this port to connect your router to a power source.
 LAN1-LAN4	Connect RJ-45 Ethernet cables to these ports to establish LAN connection.
 WAN	Connect an RJ-45 Ethernet cable to this port to establish WAN connection.
WPS	Press this button for more than four seconds to establish a secure wireless connection with a WPS-supported wireless device.

Rear (RT-N12 HP)



Label	Description
WPS	Press this button for more than four seconds to establish a secure wireless connection with a WPS-supported wireless device.
 LAN1-LAN4	Connect RJ-45 Ethernet cables to these ports to establish LAN connection.
 WAN	Connect an RJ-45 Ethernet cable to this port to establish WAN connection.
 Reset	Press this button for more than five seconds to restore the system to its factory default settings.
 Power	Press this button to power on/off the wireless router.
 DCIN	Insert the AC adapter into this port to connect your router to a power source.

Bottom panel



Item	Description
1	Mounting hooks Use the mounting hooks to mount your router on concrete or wooden surfaces using two round head screws.
2	Air vents These vents provide ventilation to your router.



NOTE: Mounting the wireless router to a wall is not recommended as it reduces wireless performance.