



## POPULAR FILTER CROSS REFERENCE

Baldwin	Donaldson	Fleetguard	Fram	Luber-finer	Wix
B99*	P554005	LF691A	PH3335	LFP4005	51792
BT230	P555570	LF3342	PH3519	LFP5570	51268
BT364	P555680	LF654	PH36	LFP791	51261
BF614	P551712	FF5264	P3375	LFF5823B	33374
BF1268	P551743	FS19683	—	—	33005
B7299	P551808	3933642ZF	—	LFP4005RN	—
B7402	P550788	—	—	—	—
BF7587	P551311	FF5319	P8335	LFF2749	33674
B7600*	P554004	LF3675	PH49A	LFP3191	51791
BF7632	P551314	FF5309	P8490	LFF4783	33377
BF7633	P551740	FF5245	P8334	LFF3347	33356
B7700	P551807	—	—	—	—
B96*	P551670	LF670	PH3612	LFP670	51870
BD103*	P553000	LF3000	PH6349	LFP3000	51748
BF957	P550105	FF105	P3528A	LFF5	33109
BF1212	P558000	FS1212	PS3712	LFF8000	33405
BF1259	P551000	FS1000	PS6829	LFF1000	33406
BF1272-SP	P551022	FS1022	PS8689	LFF1022	33422
BF1274-SP	—	FS1007	PS8688	—	33423
BF1277-SP	P551040	FS1040	—	LFF1007	—
BW5071	P554071	WF2071	PR3908	LFW4071	—
BD7153	—	LF9000	PH8690	LFP9000	57745
BD7154	P559000	LF9001	PH8691	LFP9008	57746
B7177	—	LF3937	PH8942	LFP3970	57182
BD7309	ELF7300	LF9009	HPH9500	LFP3000XL	57500
BF7760	P552203	FF2203	—	LFF2203	33691
BF7766	P552200	FF2200	P9644	LFF2201	33711
BF7940	—	FF5632	—	LFF5632	—
B95*	P550911	LF3333	PH3612	LFP911	51970
B495*	P552100	LF3620	PH7405	LFP2160	51971
BW5137	P554744	WF2051	PR3304	LFW4744	24071
BF5800	P556915	FF5207	P1146G	LFP815FN	33118
BF5810	P556916	FF5206	P1147G	LFP816FN	33120
BF5815	EFF7917	FF5333	—	—	—
BF5816	—	—	—	—	—
B2	P172525	LF551A	PH8A	PH8A	51515
B96	P551670	LF670	PH3612	LFP670	51870
B97	P554206	LF703	PH3426	LFP4005SC	57604
B134	P550784	LF3344	PH3766	LFP784	51742
B167	P557207	LF3382	PH3306A	LFP54	51797
BT261	P555616	LF3316	PH39	PH675	51789
B299	—	LF3560	—	LFP6241	—
BF587,-D	P550587	FF5271	P5457	LFF8928	33373
BF588	P552603	FF5019	P3380	FP603	33338
BF888	P553855	FF5067	P1108	LFF4293	33336
BF891	—	—	P1107	LFP255F	—
BF979	P555627	FF5020	P1118	FP251F	33341
BF984	P552251	FF196	P9350	LFP250F	33239
BF991	P553854	FF5017	P1117	LFP143F	33339
BF1345,-SP	P550729	FS19547	PS7170	LFF3579	33232
B7030	P550367	LF3883	PH7138	LFP2285	51799
B7039	P550371	LF3630	PH3786	LFP2286	51734
P7235	P550528	LF16166	CH9549	LFP2016	57311
BD7250	P550656	LF9025	PH9971	LFP9025	57744
BD7252	—	LF9035	—	LFP9035	57051
BF7629	P551318	FF5078	P8191	LFF3530	33403
PF7755	P550737	FS19729	—	L9729F	33657
PF7779	P550657	FS19684	CS9970	L9684F	33719
B76*	P553191	LF667	PH49A	LFP2216	51791
BC110	P550286	LF3416	P6697	LP2232	51417
BF876	P169097	FF171	P1110	LFP218F	33218
BF877	P550219	FF172	P1109	LFP219F	33219
BF976	P550431	FF222	P3431	LFP431F	33216
BF1256	P554472	FS19537	PS8128	LFF8472	33589
BW5178	P554860	WF2015	PR393	LFW4860	24428
BW5179	P554422	WF2022	PR3433	LFW4422	24429
BC7173	P550287	CS41005	P9302	LP2273	57117
B7225	—	LF3973	PH9376	LFP3236	—
BC7228	P552206	CS41010	—	LP3964	57706
BC7242	P552231	CS41011	P9520	LP3985	57703
B7409	—	—	—	—	—
BF7656	P554470	FF5381	P8049	LFF4470	33588
BF7657	P554471	FF5382	P8050	LFF4471	33587
BF7773	P554476	—	P9072	LFF3476	33644
BF7814	P550529	FF5507	P9626	LFF8059	33721



**Depend on  
Baldwin Filters**

Protect your equipment with heavy-duty Baldwin filters. When it comes to coverage, Baldwin Filters provides the widest range of heavy-duty lube, air, fuel, coolant, hydraulic and transmission filters in the industry. Baldwin consistently manufactures filters designed to meet or exceed the quality, performance and supply requirements of original equipment and aftermarket customers.

\* Also Available  
in MPG  
(Maximum  
Performance  
Glass) or  
SS  
(Severe Service)  
Media for  
Use in Severe  
Environments.





## QUICK CROSS REFERENCE - POPULAR FILTER APPLICATIONS

Baldwin	Donaldson	Fleetguard	Fram	Luber-finer	Wix
P7188	P550761	LF16144	CH9260	LP8741	57215
P7192	P550453	LF3829	—	—	—
P7199	P550768	LF3827	—	LP8700	57214
P7230	P550769	LF16046	CH9558	LP5048	57213
PF7735	P550632	FF5380	C9262	L8701F	33634
PF7761	P550762	FF5405	C9559	L8994F	33628
PF7939	—	—	—	—	—
B7177	—	LF3937	PH8942	LFP3970	57182
BD7309	ELF7300	LF9009	HPH9500	LFP3000XL	57500
B76	P553191	LF3321	PH49A	LFP3191	51791
B76-SS	P167404	LF3379	HPH49A	—	51788
B975	P554017	LF4017	PH2829	LFP2234	51803
BF988	P553004	FF5074	P4102A	FP585F	33358
BW5141	P552096	WF2096	—	LFW5141	24196
B7577	P550777	LF3635	P3555A	LFP8643	51749
BF7644	P550372	FF5272	P5694	LFF3584	33690
BF7653	—	—	—	—	—
B7685	P550425	LF3654	P9407	LFP8642	51660
BF7814	P550529	FF5507	P9626	LFF8059	33721
C750-E,-L	P550750	LF750B	C175E	2122-1	51750
P7500	P550751	LF750S	C175AP	L750P	51753
B7577	P550777	LF777	P3555A	LFP777B	51749
PA1637-FN* ¥	P181000	AF351K	CAK259	LAF241HD	42124
PA1681-FN* ¥	P181054	AF409K	CAK258	LAF1246	42126
PA2312* ¥	P181007	AF853	CA1581	LAF7797	42966
PA2317* ¥	P181008	AF852	CA595	LAF6918	42961
PA2333* ¥	P181099	AF872	CA592	LAF8047	42960
PA2357* ¥	P128299	AF865	CA596	LAF6880	42661
PA2425* ¥	P181014	AF886	CA1574	LAF6300	42776
PA2525* ¥	P181015	AF982	CA1599	LAF9544	42491
PA2608* ¥	P181186	—	CA6918	LAF2608	46868
PA2642* ¥	P181189	—	CA5042	LAF8727	46350
PA2660	P150694	AF1846	CA3913	LAF694	46876
PA2680	P150695	AF1969	CA6512	LAF695	46882
PA2705	P153551	AF1968	CA3750	LAF3551	46883
PA2729	P521598	AF4664	CA6926	LAF1769	46844
PA2732	P522293	AF4588M	—	LAF1770	—
RS2863	P527484	AF4878	CA7139	LAF1878	46433
RS3501	P529494	AF25215	CA7139SY	LAF3585	46429
RS3516	P531026	AF25219	CA7727	LAF2536	46842
RS3517	P532966	AF25667	CA8193	LAF4498	46744
RS3518	P527682	AF25139M	CA7140	LAF1849	46556
RS3530	P533235	AF25033	CA7466	LAF1953	46745
RS3534	P534925	AF25248	CA8231	LAF3302	46863
RS3539	P534816	AF25247	CA8180	LAF4816	42971
RS3548	P533930	AF25359	CA8466	LAF3930	46664
RS3740	P540388	AF25435	CA8598	LAF5722	46772
RS3750	P549644	AF25598	CA9009	LAF5873	42455
RS3936	P540654	AF25687	CA8932	LAF8691	46353
RS4618	P544950	—	CA9870	LAF4618	46348
RS4634	EAF5114	AF25952M	CA9869	LAF5114MXM	42808
RS4636	P606503	AF25707	CA9346	LAF9099	46870
RS4642	P606720	AF26163M	CA9901	LAF9201	49126
RS4672	—	—	—	LAF2031	42824
CA4700	P607955	AF26154	CA10281	LAF3233	42809
RS4862	P613336	AF26103	—	LAF6663	49088
CA5368	P607965	—	—	—	42812

\*¥ Also Available in LL (Long Life) Version or Use in Severe Environments.

We also have Cab Air Filters in Stock!



## Depend on Baldwin Filters

Protect your equipment with heavy-duty Baldwin filters. When it comes to coverage, Baldwin Filters provides the widest range of heavy-duty lube, air, fuel, coolant, hydraulic and transmission filters in the industry.

Baldwin consistently manufactures filters designed to meet or exceed the quality, performance and supply requirements of original equipment and aftermarket customers.





**WINDSHIELD WIPER BLADES**



Replace windshield wipers at least every six months. Fundamental driving safety is built on the driver's ability to see the road clearly. It is difficult to see impending hazards in time to react when vision is impaired.

To keep windshield wipers in good condition, use the following tips.

- Inspect windshield wipers every six months for wear and damage, and replace accordingly. A good rule of thumb is to replace at daylight saving time.
- Do not wait to replace worn and damaged wipers until the bad weather hits or visibility is so deteriorated that safety is compromised. Eyestrain from poor visibility can lead to driver fatigue and anxiety. A regular inspection schedule will help avoid potentially dangerous situations.
- Give your wiper blade rubber elements a quick cleaning when filling up with gas. After the windshield has been cleaned using the service center's washer solvent and squeegee, wipe down the rubber with a paper towel. Doing so removes any loose dirt and most road grime that can lead to streaking, smearing and hazing.



The **KwikConnect Installation System** is the easiest and most effective connection system in replacement wiper blades. It produces an audible "click" so you know that installation has been performed correctly.

The KwikConnect Installation System can be found on ANCO® AeroVantage, 31-Series, and winter wiper blades, and ANCO Contour Premium Profile Blades.

ANCO wiper blades fit 98 percent of passenger cars and light- and medium-duty trucks on the road right out of the box. Our easy-to-follow instructions make it possible for even the do-it-yourself novice to install the replacement blades in seconds.



The **31-Series wiper blade** in ANCO's line of windshield wiper blades features a vented bridge and metal flexor for original equipment fit and function.

The blade features a DuraKlear™ rubber compound to provide a consistent, clean wipe. The patented rubber creates a razor-sharp wiping edge and features a natural, no-wax formula that offers protection from UV rays, ozone, air pollution and road grime.

Each blade also features the KwikConnect™ System that allows for easy installation and removal.



Part No.	Length	Trico #
31-14	14"	30-140
31-16	16"	30-160
31-18	18"	30-180
31-19	19"	30-190
31-20	20"	30-200
31-22	22"	30-220
31-24	24"	30-240



## WINDSHIELD WIPER BLADES

**ANCO winter blades** provide a super-strong, rugged rubber cover over a heavy-duty frame to prevent ice, snow and slush from freezing wiper joints or building up on the blade itself.

A heavy-gauge steel bridge resists abuse, and its extra-thick DuraKlear™ natural rubber wiping edge remains flexible in the coldest temperatures.

Our winter blades outperform all competitors in laboratory testing and are available in eight lengths.

Once the winter weather is over for the year, the blades' KwikConnect™ System allows for easy installation and removal, so return to normal blades is quick and effortless.

Part No.	Length	Trico #
30-16	16"	37-160
30-18	18"	37-180
30-20	20"	37-201
30-22	22"	37-220
30-24	24"	37-240



**ANCO 59 Series heavy duty winter blades** have a stainless steel frame reinforced by metal rivets for greater strength and a rubber cover prevents ice and snow buildup in the wiper superstructure. Saddle mounting style.

Part No.	Length	Trico #
59-13	13"	66-130
59-15	15"	66-150
59-16	16"	66-160
59-18	18"	66-180
59-20	20"	66-200



**ANCO's AeroVantage 91-series** wiper blades are created with an aerodynamic design that maintains wipe at high speeds.

This high-performance wiper blade features a vented bridge and is engineered for today's sloping windshields and faster highway speeds. Its advanced DuraKlear-Plus™ wiper element provides a

streak-free wipe. They include the KwikConnect™ System.

Part No.	Length	Trico #
91-18	18"	18-1
91-20	20"	20-1
91-22	22"	22-1

**ANCO Rainy Day wiper blades** have a natural rubber wiping edge for high conformance to windshield shape. Black steel backing.



Part No.	Length	Trico #
RDB18	18"	---
RDB22	22"	---
RDB24	24"	---

Part No.	Length	Trico #
C18UB	18"	16-180
C20UB	20"	16-200
C22UB	22"	16-220



**ANCO Contour™ wiper blade:**  
**Profile style wiper blade.**

Includes KwikConnect™. Unique spoiler provides superior blade-to-windshield contact for optimal viewing area. Exclusive wiper formulation resists the elements. One piece design resists corrosion and freezing for all season performance.

**ANCO 51 Series "Ten-Edge" wiper blades** for flat windshields.

"Ten Edge" blades are nonrefillable.

Part No.	Length	Trico #
51-13	13"	61-130
51-15	15"	61-150
51-16	16"	61-160
51-18	18"	61-180



**ANCO 52 Series "Clear-Flex" wiper blades** for Flat OR Curved windshields are heavy duty construction throughout.

Part No.	Length	Trico #
52-14	14"	63-140
52-15	15"	63-151
52-16	16"	63-160
52-18	18"	63-180
52-20	20"	63-200



**Washer Pump - Part No. 65-01**

Come complete with wiring, electrical connectors, tubing and instructions. 12 volt.





**MATTRESSES****Truck Luxury Mattresses**

The Mobile InnerSpace Luxury Mattress:  
The Best Sleep A Driver Has Ever Had®

You know that you couldn't do the job you have today with a truck built in 1940. So why try to make do with uncomfortable mattress made the old-fashioned way in your sleeper cab?

The Mobile Innerspace Luxury Mattress is the result of a scientific approach to sleep that promotes the restful, healthful sleep you need to be at your best on the road. The 100% Verflex core is a special open cell material that conforms to the contours of your body. This revolutionary, patented material firmly supports your body from head-to-toe and distributes your weight evenly across the mattress, eliminating the uncomfortable lumps, bumps, and pressure points that can prevent you from sleeping soundly.



**Part No. 38x80**

38" WIDE X 80" LONG

**Part No. 42x80**

42" WIDE X 80" LONG

**FREON - R134A**

**R134A Freon**  
30 pound container  
**Part No. M8-31**



**We stock A/C parts;  
compressors, clutches and more.  
From Truck Air.**



**TRUCK  
AIR PARTS®**

**SHOP EQUIPMENT - DUALY PAN****Simple Design**

Spill-proof design locks in place - no need to hold while the axle drains. Flat bottom design eliminates spills and will not tip while on the floor. Built-in handles make the drain pan easy to remove and carry. The large 256 ounce (2 gallons) capacity consolidates multiple disposal trips.

**Versatile Fit**

Works on both 24.5 and 22.5\* wheel ends (for 22.5 wheel ends, trim pan along groove for proper fit).

**Simple Disposal**

Two built-in drip proof pour spouts for easy waste disposal.

**Quality Made**

Considered a "GREEN" product - the Dually Drain Pan is manufactured in the U.S.A. from recycled plastic and its use helps keep the environment clean and clear of contaminants.



**Stemco Dually Drain Pan.  
Cleanliness made easy.  
Part No. 102-5001**

  
**STEMCO®**





**SHOP EQUIPMENT**

**Dual Wheel Dolly**  
**1500 Pound Capacity**  
 Allows for easy removal and transport of dual wheel and tire and assemblies.



- Designed to provide extra low position for easy installation and removal.
- Leveling screw provides infinite tilt adjustment.
- 4 ton hydraulic jack provides a full 7<sup>3</sup>/<sub>4</sub>" lift.
- 6' chain included to hold wheel assembly in place
- Large swivel casters for easy maneuverability.

**Part No. 3577**

**Air-Hydraulic Service Jack 22 Ton Capacity**  
 For heavy duty use in repairing trucks, buses, trailers and other heavy equipment.

- Heat treated cylinder wall and chromed piston give added stability and longer jack life.
- Alloy steel lifting mechanism for added durability and operator safety
- Precision engineered tolerances for maximum performance
- Lifts between 8-3/4" to 23"
- In-line filter to protect air motor from contaminants
- Corrosion-resistant aluminum and nylon composite air motor
- Ram extension kit included with 3/4", 2-3/4" and 4" extensions
- Large 7-3/4" rear wheels for easy positioning
- Automatic in-line oiler to lubricate air motor.

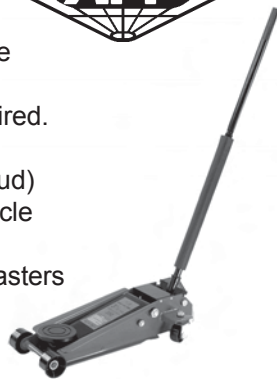


**Part No. 565E**

**3.5 Ton Professional Duty Floor Jack -**

The 350 is ideal for use in mechanical repair facilities and roadside assistance service vehicles where ruggedness, strength and durability are required.

- Lifts from 4" to 19-1/2".
- Pinned steel saddle (1-1/8" stud) with rubber pad for added vehicle protection.
- Rear-mounted 2-3/8" swivel casters for ease of maneuverability.
- High strength steel yoke.
- Two-piece 50-1/4" padded handle parks upright. **Part No. 350**



Over the past 40+ years, American Forge & Foundry has provided value through our selection of highest-quality, "forge tough" heavy-duty and automotive service equipment. Our lifting, shop, lubrication and material handing lines consistently deliver the durability and reliability necessary to meet the needs of service technicians and repair shops nationwide.

**Bottle Jacks**

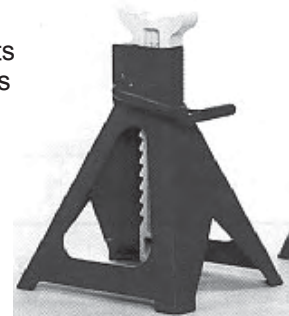
- Designed for horizontal or vertical use.
- Factory pretested to 150% of rated capacity
- Heat treated piston for maximum strength
- Centered pump and ram for balance and easy positioning



Part No.	Ton Cap.	Low Hgt.	High Hgt.	Lift	Screw	Base Dim.	Weight
3512	12	8 <sup>1</sup> / <sub>2</sub> "	17"	5 <sup>3</sup> / <sub>4</sub> "	2 <sup>3</sup> / <sub>4</sub> "	5 <sup>1</sup> / <sub>2</sub> " x 5 <sup>1</sup> / <sub>4</sub> "	17# ea.
3520	20	9 <sup>5</sup> / <sub>8</sub> "	18 <sup>1</sup> / <sub>4</sub> "	6 <sup>3</sup> / <sub>8</sub> "	2 <sup>1</sup> / <sub>4</sub> "	6 <sup>3</sup> / <sub>4</sub> " x 6 <sup>1</sup> / <sub>4</sub> "	27# ea.
3530	30	11"	18 <sup>5</sup> / <sub>8</sub> "	7 <sup>5</sup> / <sub>8</sub> "	--	7" x 7"	44# ea.

**Garage Stands**

- Safety ratchet design prevents lowering of stand when load is on saddle.
- \* Part No. represents one pair.
- Exceeds ANSI standards for performance and Safety



3312

SS6

Part No.	Cap. (Each)	Low Hgt.	High Hgt.	Base Dim.
SS6	6 Tons	15 <sup>1</sup> / <sub>2</sub> "	23 <sup>3</sup> / <sub>4</sub> "	9" x 10 <sup>1</sup> / <sub>2</sub> "
3312	12 Tons	17 <sup>3</sup> / <sub>4</sub> "	28 <sup>1</sup> / <sub>2</sub> "	12 x 10 <sup>3</sup> / <sub>4</sub> "



## SHOP EQUIPMENT - DRILL BITS

Heavy Duty Shank; 135 degree; Split Point; Black/Gold Finish  
HDS = Round Shank / HDJ = 3 Flat Shank

Sorted by size - smallest to biggest

Part Number	Size	Pack Qty	Part Number	Size	Pack Qty
HDS1/16	1/16"	12	HDJ3/16	3/16"	12
HDS5/64	5/64"	12	HDJ10	#10	12
HDS3/32	3/32"	12	HDJ13/64	13/64"	12
HDS7/64	7/64"	12	HDJ7/32	7/32"	12
HDS1/8	1/8"	12	HDJ15/64	15/64"	12
HDS9/64	9/64"	12	HDJ1/4	1/4"	12
HDS5/32	5/32"	12	HDJ17/64	17/64"	12
HDS11/64	11/64"	12	HDJ9/32	9/32"	12
HDS3/16	3/16"	12	HDJ19/64	19/64"	12
HDS10	#10	12	HDJ5/16	5/16"	12
HDS13/64	13/64"	12	HDJ21/64	21/64"	6
HDS7/32	7/32"	12	HDJ11/32	11/32"	6
HDS15/64	15/64"	12	HDJ23/64	23/64"	6
HDS1/4	1/4"	12	HDJ3/8	3/8"	6
HDS17/64	17/64"	12	HDJ25/64	25/64"	6
HDS9/32	9/32"	12	HDJ13/32	13/32"	6
HDS19/64	19/64"	12	HDJ27/64	27/64"	6
HDS5/16	5/16"	12	HDJ7/16	7/16"	6
HDS21/64	21/64"	6	HDJ29/64	29/64"	6
HDS11/32	11/32"	6	HDJ15/32	15/32"	6
HDS23/64	23/64"	6	HDJ31/64	31/64"	6
HDS3/8	3/8"	6	HDJ1/2	1/2"	6
HDS25/64	25/64"	6			
HDS13/32	13/32"	6			
HDS27/64	27/64"	6			
HDS7/16	7/16"	6			
HDS29/64	29/64"	6			
HDS15/32	15/32"	6			
HDS31/64	31/64"	6			
HDS1/2	1/2"	6			



**Super High Speed Steel.  
Premium Grade.  
M7 molybdenum.**

**Ask us about drill bit sets!  
Also available.**



**SHOP EQUIPMENT - GLOVES**

**Brown Jersey Glove,  
9 ounce.  
Part No. GL-01**



**Cotton Canvas  
Chore Glove  
Part No. GL-02**



**Heavy Weight Glove with  
Red Lining.  
Part No. GL-03**



**Yellow Flannel Glove  
18 ounce cotton.  
Part No. GL-04**



**Brown Jersey Glove,  
9 ounce, with grip dots.  
Part No. GL-05**



**Premium Split  
Leather Glove.  
Part No. GL-06**



**Leather driver  
glove - unlined.  
Part No. GL-07L**



**Latex palm dura grip knit  
Glove.  
Part No. GL-14L**



**Latex powdered glove  
Part No. GL-15  
(Med, Large, and XL)**



**Nitrile powdered glove.  
Part No. GL-16  
(Large, and XL)**



**Latex powder free glove  
Part No. GL-15-PF  
(Large, and XL)**



**Nitrile powder free g  
Part No. GL-16 - PF  
(Large, and XL)**







## SHOP EQUIPMENT - SHOP TOWELS

SCOTT® BRAND shop towels are ideal for your toughest shop clean-up tasks.

Keep them in your garage, or on the job for a quick and easy solution to any mess.

These strong, absorbent towels are great for wiping hands, tools and cleaning up grease, oil, grime, and fluids.

- Ideal for changing oil, refilling fluids and general automotive maintenance
- Super strong - works when wet!
- Easily absorbs liquids, oils, and grease
- POP-UP Box with built-in handle allows you to take the box on the job while keeping rags clean.



200 sheets per roll,

1 roll per box.

White, lint free,

1 ply 10" x 13" sheets.

Part No. 1015260



55 blue shop towels per roll,

10.4" x 11" sheet size.

Part No. 1015130



200 blue shop towels per box,

10" x 13" sheet size.

Part No. 1015190





**ARVIN MERITOR TIE ROD ENDS**

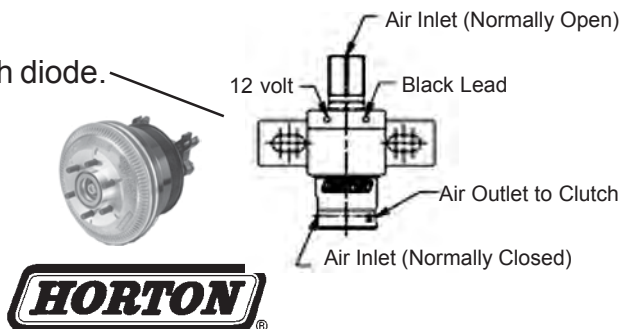
PART NO.	DESCRIPTION
R230028	ES411L (interchange E4630)
R230029	ES411R (interchange E4631)
R230068	ES423L (interchange E4614)
R230069	ES423R (interchange E4615)
R230072	ES2090L (interchange E4628)
R230073	ES2090R (interchange E4629)



Polished, full ball design for medium and heavy-duty applications provides full bearing contact ensuring a superior range of motion. Grease passages allow consistent lubrication.

**HORTON FAN CLUTCH PARTS**

PART NO.	DESCRIPTION
993293	HG300 valve and filter kit. 12V, with diode.
994205	Minor Seal Kit
994305	HTS Super Kit
994307	S-Type Super Kit
994322	HTS Super Kit (Ceramic Facing)
994985	Drivemaster Super Kit



**STEMCO KAISER KINGPINS**

**STEMCO KAISER**

**QWIKKIT™**



PART NO.	Axle Code	Spindle / Axle Bore
K122E	E1200I/W, E1320I/W	1.919-1.921 / 1.794-1.796
K961L	FF961, FF941	1.919-1.921 / 1.795-1.797

Only the Stemco Kaiser Qwik Kit™ gives you the performance of steel on steel to withstand the constant turning and pounding placed on a steering knuckle and axle over the life of the vehicle.

**ALIGNMENT TOOL FOR TRAILER**

**Axle Extensions for Alignment Tool**

- Part No. 11-1801 TP Axles
- Part No. 11-1803 TN/TQ Axles
- Part No. 11-1805 TP Axle Adapter (Use w/ 11-1801)



Trailer Alignment Tool - Part No. 11-1799



**ROAD GEAR TRUCK EQUIPMENT**

**ROAD GEAR**  
Truck Equipment, LLC

**Tool Boxes & Cab Guards!**

