

Uniden®



surveillance

UDR744 OUTDOOR



CUSTOMER CARE

At Uniden®, we care about you!

If you need assistance, please do NOT return this product to your place of purchase. Our customer care specialists are available to serve you.

Quickly find answers to your questions by:

1. Reading your owner's manual, included with this product.
2. Visiting our customer support website at www.uniden.com.
3. Calling our customer care specialists at 1-800-658-8068.

CONTENTS

Customer Care	2
GETTING STARTED	5
USING THIS MANUAL.....	5
FEATURE LIST.....	5
WHAT'S INCLUDED	7
GETTING TO KNOW THE UDR744 SYSTEM.....	8
HARDWARE	8
UDR744 Monitor	8
UDR744 Camera	9
SET UP THE HARDWARE	10
Monitor	10
Camera.....	10
install Cameras	11
MONITOR SCREEN	11
UDR744 OPERATION.....	12
Live View Screen.....	13
UDR744 Live Screen Icons.....	13
UDR744 SCREEN DESCRIPTIONS	18
OVERVIEW.....	18
PLAYBACK.....	18
ALARM	20
BRIGHTNESS.....	20
GENERAL SETTINGS.....	21
Camera Setup Screen	23
Recording Setup Screen	26
System Settings Screen.....	28
Motion Detection Settings Screen.....	33
Network Setup Screen.....	35
Firmware Upgrade Screen	38
REMOTE ACCESS	40
OVERVIEW.....	40

REQUIREMENTS	40
SET UP THE U GUARD APP.....	40
U GUARD APP SCREENS AND ELEMENTS	42
Camera List Screen	42
Live View Screen	44
UDR744 Operation Basics	45
RECORDING LIVE VIDEO (MONITOR ONLY)	45
PLAYING BACK RECORDED VIDEO.....	45
ADDING NEW CAMERAS	46
Pair Cameras	47
Troubleshooting Camera Pairing	47
UDR744 BASIC OPERATION.....	48
MAINTAINING YOUR SYSTEM.....	52
UPGRADING YOUR UDR744 MONITOR FIRMWARE.....	52
TAKING CARE OF YOUR HARDWARE	52
Monitor	52
Cameras	52
MANAGING RECORDED FILES	52
Copying Files from the SD Card to your Computer.....	53
SOLVING PROBLEMS	54
SPECIFICATIONS	56
Compliance Information	58
FCC Part 15 Compliance Statement	58
RF Exposure Information	58
IC Compliance Information	58
CE Compliance Information.....	59
One-Year Limited Warranty.....	59

Uniden surveillance products are not manufactured and/or sold with the intent to be used for illegal purposes. Uniden expects consumer's use of these products to be in compliance with all local, state and federal law. For further information on video surveillance and audio recording legal requirements, please consult your local, state and federal law.

GETTING STARTED

USING THIS MANUAL

This manual is set up in six main sections:

- Getting Started. This section describes your hardware and how to physically set it up.
- Uniden Guardian™ Software Operations Overview. This section lists basic operations in an abbreviated format. It references screen details in the third section.
- Uniden Guardian Screen Descriptions. Here you will find detailed descriptions of each screen and how it is used.
- Remote Access. This section tells you how to connect your surveillance system to the internet and access it from your iOS and Android smartphone or tablet.
- Maintaining Your System
- Solving Problems

FEATURE LIST

- 850nm IR Led distance up to 10m
- 7" TFT LCD Digital panel (800 RGB x 480)
- Two-way audio
- Scan function
- PIR- or motion detection-triggered recording
- Manual recording
- Touch screen operation
- Schedule recordings from Sunday to Saturday
- SD card external storage, up to 128GB supported (8GB included)

- One LCD monitor can pair four cameras
- LCD : 5v DC 2A Power adaptor (+/-5%)
- Camera: 9v DC 600mA (+/-5%)
- RF range: 150 meter (Line of sight)
- New recording indicator/ Memory card full indicator
- Quad view
- PIR trigger and Video motion detect alert
- Night vision up to 40 feet
- Direct connection to router for remote access to live and recorded video
- No monthly fee

WHAT'S INCLUDED

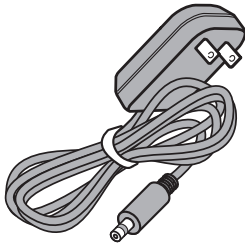
You should have the following items:



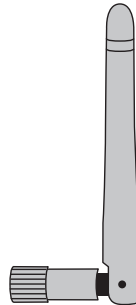
(1) UDR744 Monitor



(2) Camera with stand



(2) 9V 600mA Power Adapter
(Camera)



(2) Antenna (may be
attached to camera)

Not Shown:

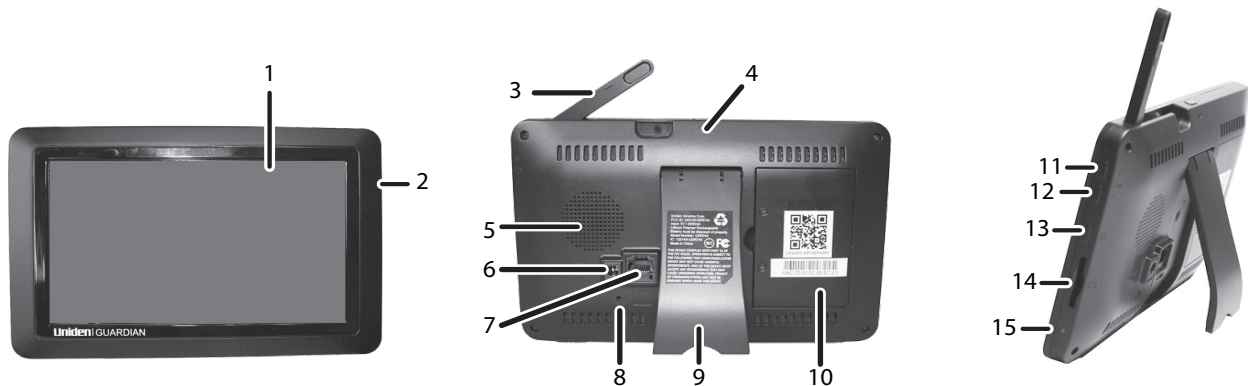
- (1) 5V 2A Power Adapter (Monitor)
- (1) Ethernet (RJ45) Cable
- 8G SD Card
- (1) 2000mA Battery (Monitor)
- Mounting Hardware (2 sets)
- Quick Start Guide

***If any items are missing or damaged, contact our Customer Care Line immediately.
Never use damaged products!***

GETTING TO KNOW THE UDR744 SYSTEM

HARDWARE

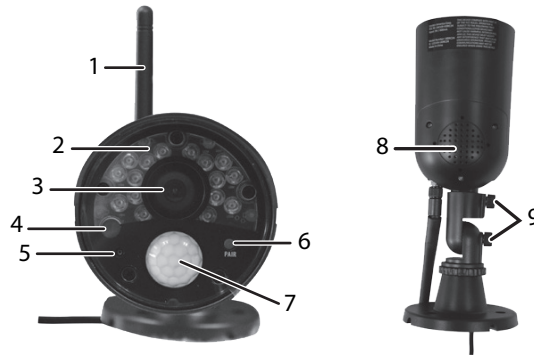
UDR744 MONITOR



No.	What it is
1	LCD Screen: Displays video from the camera(s) or system operation interface.
2	Microphone
3	Wireless Antenna
4	Power Button/ Scan Button: Press and hold to turn the receiver on/off. Press and release while the unit is powered on to turn Scan mode on/off.
5	Speaker
6	Power Port: Connect to a local power outlet using the included power adapter.
7	Ethernet Port (RJ45): Connect the receiver to your router using the included Ethernet cable to enable smartphone / tablet connectivity
8	Reset: Using a paper clip or other thin object, push the reset button to restore the system to its default settings..
9	Receiver Stand.
10	Battery Cover

No.	What it is
11	Volume Up
12	Volume Down
13	Talk. Press and hold to talk through the camera. Release to listen for a response.
14	SD Card Slot. Insert SD card for recording videos.
15	Blue LED On - Monitor is in Scan mode. Flashing - Battery power is low

UDR744 CAMERA



No.	What it is
1	Camera Antenna: Sends and receives signals to/from the monitor.
2	IR LEDs. Infrared LEDs provide viewing in low/ no light conditions.
3	Camera Lens: Catches the video in front of the lens and transmits video from camera to monitor.
4	Light Sensor: Sense brightness for changing between daytime and nighttime vision
5	Microphone: Transmit audio to receiver.
6	Pair Button: The pair button is located on the front of the camera. It is used to pair the camera with receiver.

No.	What it is
7	PIR Sensor: Detects motion in front of the lens and emits detection signal to transmitter.
8	Speaker: Produces the sound transmitted from the receiver.
9	Adjustment screws: Adjusts the camera up/down and clockwise/counterclockwise.

SET UP THE HARDWARE

MONITOR

1. Flip out the stand on the back of the monitor; and position the antenna.
2. Connect an AC adapter to the power input on the side of the monitor. Connect the other end of the adapter to a 120 volt AC (standard indoor) power outlet.
3. Press and hold the **POWER** button on the top of the monitor for 3 - 4 seconds to power it up.
4. The monitor displays the *Uniden Guardian* screen for a few seconds and then transitions to the LIVE view.

The screen remains dark until the cameras are powered up.

CAMERA

General

The UDR744 cameras included with your monitor are weatherproof and have an IP65 rating. Water can be sprayed on them and they will still work; however, the cameras cannot be submerged.

Although the cameras can be exposed directly to the rain, it is recommended that, if they are used outdoors, they be mounted under some type of cover like a patio overhang or eave. As rainwater drops start to dry on the camera glass, it can create spots that will reflect the light from the infrared LEDs used for night vision, thus causing lower quality video.

Also, as dust, grime, and cobwebs accumulate on the camera glass, they can reflect light from the infrared LED and might lower video quality. Periodically clean the lens glass with a soft cloth.

Placement Considerations

Consider the following when placing cameras: